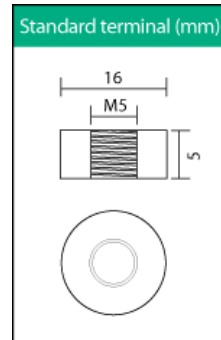
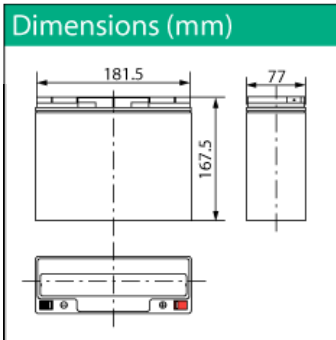


CPL 18-12



**AGM Longlife-series
10 years design life**



Nominal voltage	12 V	
Nominal Capacity 20HR,20 C):	18 Ah	
Internal resistance	Approx. 16.0 m Ω	
Maximum charging current	5.4 A	
Maximum discharge current	270 A (5 sec.)	
Operating temperature range	-15 C 50 C	
Float use/ cycle use	13.5 - 13.8V/ 14.4 – 15.0V	
Expected life (20 C)	10 years in float (EUROBAT)	
Standard terminal	Threaded insert 5 mm	
Housing material	ABS	
Dimensions	length	181.5 mm (± 1 mm)
	width	77 mm (± 1 mm)
	height	167.5 mm (±1 mm)
Approx. Weight	6.0 kg	
Packing	2 pcs/box	

Typical applications :
 UPS and EPS systems
 Computerized data bases
 Life support equipment
 Air traffic power stations
 Security systems
 Military base

Valve Regulated Maintenance Free
 Absorbent Glassmat Technology
 Built to comply with DIN 43534, IEC896-2, BS6290-pt.4
 Low self discharge
 Classified as non- spillable and Non Dangerous goods by IATA, FAA, ADR, IMDG
 Can be discharged or stored in any position without leakage
 Cannot be charged while the terminal is downward.

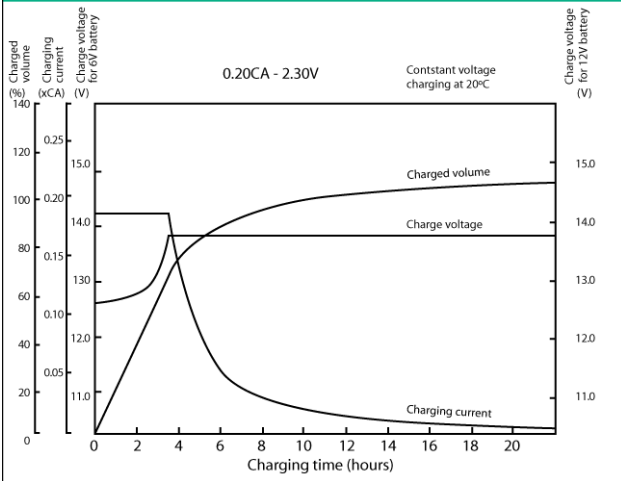
Constant Current Discharge (Amperes) at 25 °C (77°F)

F.V/TIME	5min	10min	15min	20min	25min	30min	45min	50min	60min	90min	2h	3h	4h	5h	6h	7h	8h	9h	10h	12h	20h
1.85V/cell	30.4	23.2	19.4	16.5	14.5	13.0	10.2	9.48	8.56	6.75	5.46	4.33	3.50	2.83	2.49	2.17	1.99	1.84	1.70	1.47	0.95
1.80V/cell	40.9	29.7	23.4	19.5	17.1	15.3	11.9	10.8	9.58	7.20	5.96	4.65	3.74	3.04	2.61	2.31	2.11	1.95	1.80	1.52	0.95
1.75V/cell	46.1	32.6	25.6	21.0	18.0	15.9	12.3	11.3	10.0	7.63	6.18	4.74	3.83	3.12	2.69	2.37	2.15	1.97	1.82	1.54	0.96
1.70V/cell	50.7	35.5	27.3	22.1	18.9	16.5	12.8	11.7	10.3	7.92	6.42	4.87	3.93	3.20	2.74	2.41	2.18	2.00	1.84	1.56	0.98
1.65V/cell	55.9	38.3	29.0	23.4	20.0	17.4	13.1	12.0	10.7	8.24	6.60	5.08	4.06	3.29	2.80	2.45	2.21	2.03	1.87	1.58	0.99
1.60V/cell	61.7	41.6	31.0	25.0	21.2	18.4	13.7	12.5	11.1	8.51	6.83	5.23	4.19	3.40	2.86	2.49	2.23	2.05	1.89	1.60	1.00

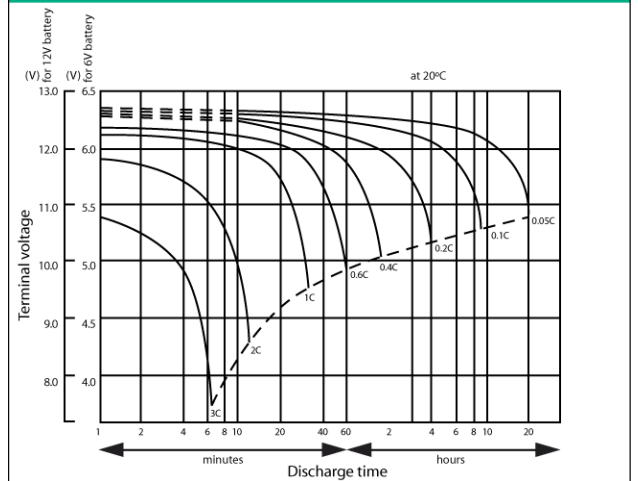
Constant Power Discharge (Watts) at 25 °C (77°F)

F.V/TIME	5min	10min	15min	20min	25min	30min	45min	50min	60min	90min	2h	3h	4h	5h	6h	7h	8h	9h	10h	12h	20h
1.85V/cell	56.7	43.7	36.8	31.7	28.0	25.2	20.0	18.6	16.9	13.3	10.8	8.58	6.98	5.65	4.97	4.35	3.99	3.69	3.42	2.97	1.91
1.80V/cell	75.3	55.2	43.9	36.9	32.6	29.4	23.0	21.0	18.7	14.1	11.7	9.18	7.41	6.04	5.21	4.62	4.22	3.90	3.62	3.06	1.92
1.75V/cell	83.2	59.7	47.4	39.4	34.1	30.3	23.7	21.8	19.5	14.9	12.1	9.32	7.56	6.18	5.34	4.71	4.29	3.95	3.65	3.09	1.94
1.70V/cell	89.6	64.1	50.0	41.0	35.3	31.3	24.5	22.5	20.1	15.4	12.5	9.56	7.73	6.33	5.44	4.78	4.34	3.99	3.68	3.13	1.97
1.65V/cell	96.9	68.0	52.6	43.1	37.1	32.8	24.9	23.0	20.6	15.9	12.8	9.92	7.97	6.48	5.54	4.86	4.40	4.05	3.75	3.18	1.99
1.60V/cell	104.4	72.2	55.2	45.3	39.0	34.4	25.9	23.7	21.2	16.4	13.2	10.2	8.20	6.68	5.64	4.92	4.43	4.09	3.78	3.20	2.00

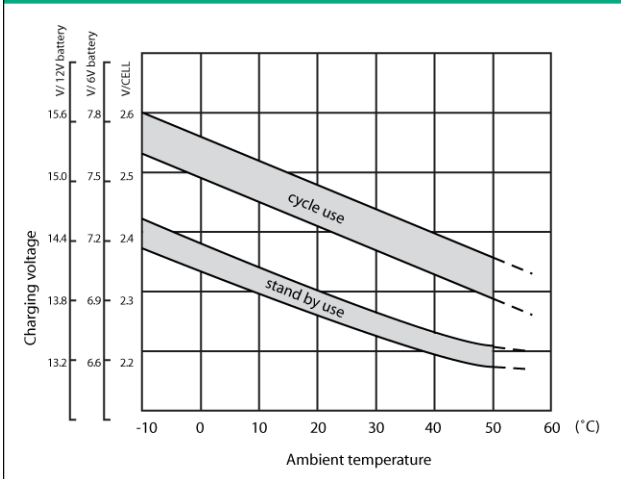
Charging characteristics



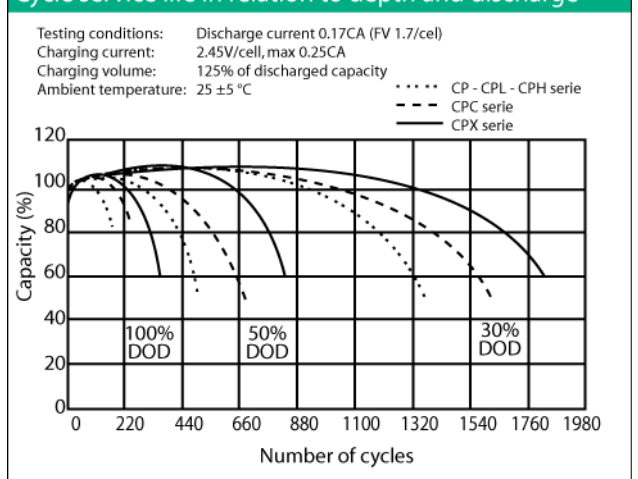
Discharge characteristics curves



Relationship between charging voltage and temperature



Cycle service life in relation to depth and discharge



Models available, Constant Power Discharge (Watts) at 25°C (77°F) 1.65V/c – Time, Weight

Model	5min	10min	15min	20min	25min	30min	50min	1h	1.5h	2h	4h	6h	8h	10h	20h	Weight
CPL 9 – 12L	53.4	37.8	29.1	24.2	20.9	18.0	11.9	10.6	7.63	6.19	3.73	2.69	2.11	1.76	0.93	2.75 kg
CPL 12 – 12	64.6	45.4	35.0	28.7	24.7	21.9	15.3	13.7	10.6	8.55	6.62	3.69	2.93	2.50	1.33	4.05 kg
CPL 18 – 12	96.9	68.0	52.6	43.1	37.1	32.8	23.0	20.6	15.9	12.8	7.97	5.54	4.40	3.75	1.99	6.0 kg
CPL 26 – 12	139.9	98.3	75.9	62.3	53.6	47.4	33.2	29.7	23.0	18.5	11.5	8.00	6.35	5.42	2.88	8.4 kg
CPL 28 – 12I	150.7	105.8	81.8	67.1	57.7	51.0	35.8	32.0	24.8	19.9	12.4	8.62	6.84	5.83	3.10	8.8 kg
CPL 28 – 12IA	150.7	105.8	81.8	67.1	57.7	51.0	35.8	32.0	24.8	19.9	12.4	8.62	6.84	5.83	3.10	9.5 kg
CPL 33 – 12*	294.3	197.0	149.6	122.2	104.1	90.1	60.3	51.9	36.8	29.0	15.6	11.1	8.67	7.39	3.82	11.7 kg
CPL 45 – 12I	187.0	146.0	119.8	103.3	89.2	81.4	58.7	51.7	38.5	32.8	19.9	14.7	11.8	9.81	5.20	14.5 kg
CPL 55 – 12I*	380.3	262.5	205.4	170.1	147.4	127.6	85.6	74.0	54.0	43.3	24.0	17.1	13.6	11.6	6.00	17.6 kg
CPL 65 – 12I	270.1	210.9	173.0	149.2	128.8	118.8	84.8	74.7	55.6	47.3	28.8	21.2	17.0	14.2	7.51	21.0 kg
CPL 80 – 12	311.6	243.3	199.6	172.1	148.7	135.7	97.9	86.2	64.1	54.6	33.2	24.5	19.6	16.4	8.67	23.0 kg
CPL 100 – 12	415.5	324.5	266.2	229.5	198.2	180.9	130.5	115.0	85.5	72.8	44.3	32.7	26.1	21.8	11.6	32.0 kg
CPL 135 – 12	581.6	454.3	372.6	321.3	277.5	253.2	182.7	161.0	119.7	101.9	62.1	45.8	36.6	30.5	16.2	45.5 kg
CPL 150 – 12	623.2	486.7	399.2	344.2	297.3	271.3	195.8	172.5	128.3	109.2	66.5	49.0	39.2	32.7	17.3	48.2 kg
CPL 250 – 12	811.2	665.4	573.7	495.5	456.8	353.1	326.3	287.5	213.8	182	138	110.8	92.8	81.7	72.2 kg	

* High Rate